

# Installation Manual

---

## Neo Advance®



Fixed Shut Option

# INTRODUCTION

---

Thank you for choosing the Neo Advance® Rooflight. We are sure that the Neo Advance® Rooflight will provide a high-quality finishing touch to your project. This guide is a step-by-step guide to installing the **FIXED FRAME** version of the **Neo Advance® Rooflight**.

The step-by-step process must be followed in numerical order to ensure the installation is correct. Every project is different therefore it may be necessary to adapt the installation to suit the structure.

What you need to know about the Neo Advance® Rooflight:

- Installed at a maximum pitch of 15 degrees and a minimum of 3 degrees.
- The following installation details pertain to a membrane roof finish, installed on a timber kerb.

All of the images in this guide are diagrammatic (with some components omitted for clarity). They should be used as a reference. Installation instructions are regularly reviewed and we reserve the right to update or amend these details without alteration to this guide.

## CARE AND MAINTENANCE

To achieve the maximum service life from the Neo Advance® (Flat Fixed) rooflight it is important that scheduled care and maintenance is undertaken. Please note that the guarantee will become void if the procedures outlined in the separate maintenance manual are not adhered to. Please refer to the Operations and Maintenance Guide for further details.

## ADVISORY



Standard rooflight. All the information provided in this document refers to a standard specification Neo Advance® (Flat Fixed) rooflight.



Install in accordance with national building regulations / codes. This manual is an installation suggestion and installers should verify 'fitness for purpose' in accordance with all applicable regulations / standards at time of installation.

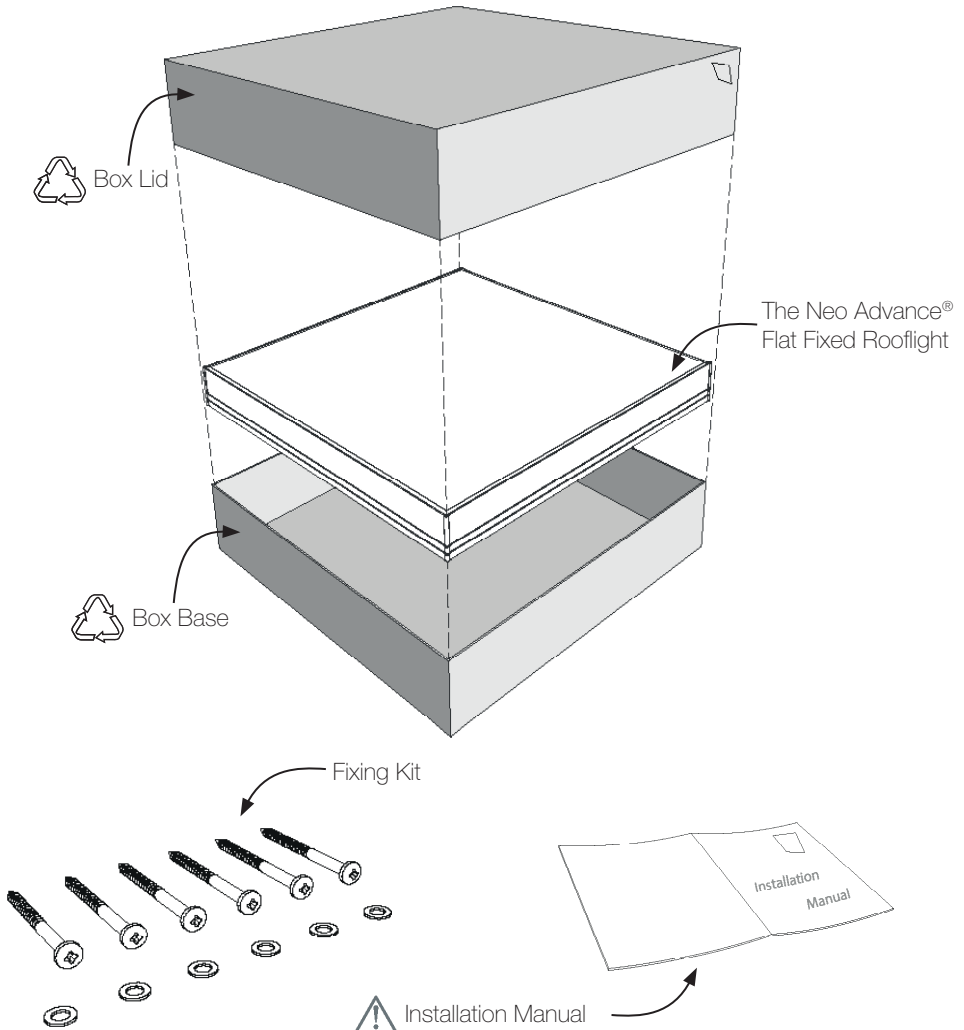


Structural support: structural supports for the Neo Advance® (Flat Fixed) rooflight are to be designed and supervised during construction by the rooflight installer or project structural engineer. Nothing in this manual constitutes a structural proposal. Sizing / positioning of structural supports should be determined by the project's suitably qualified structural engineer.

# WHAT'S IN THE BOX

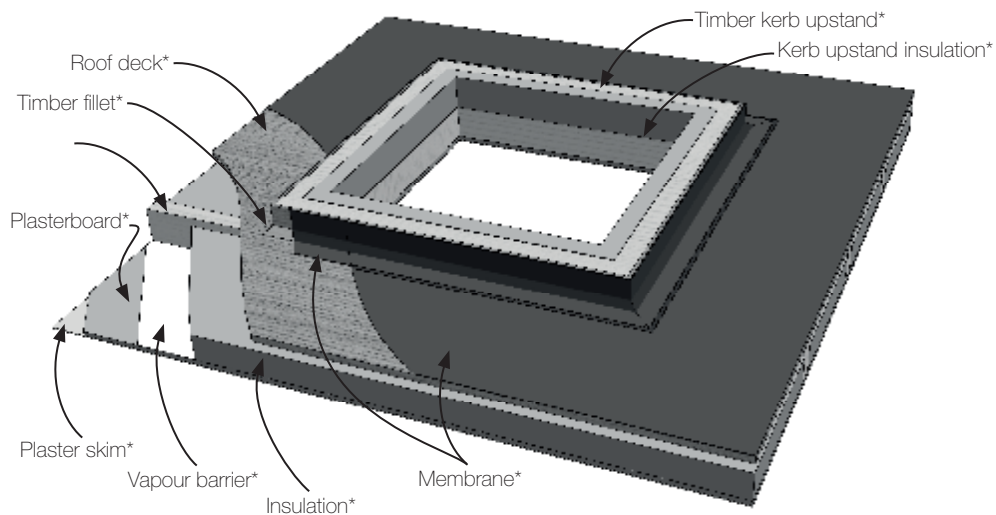
Inside the box you will find your Neo Advance® (Flat Fixed) Rooflight, the rooflight fixing kit and a printed copy of this installation manual.

- ⚠️ Ensure you check the rooflight for any damage PRIOR to commencing the installation.
- ⚠️ Report any damage to the courier and inform The Rooflight Co.
- ♻️ Please recycle the cardboard box appropriately.
- ⚠️ We recommend you retain the installation manual for future reference.



# 1. Step 1 - Preparing the structure

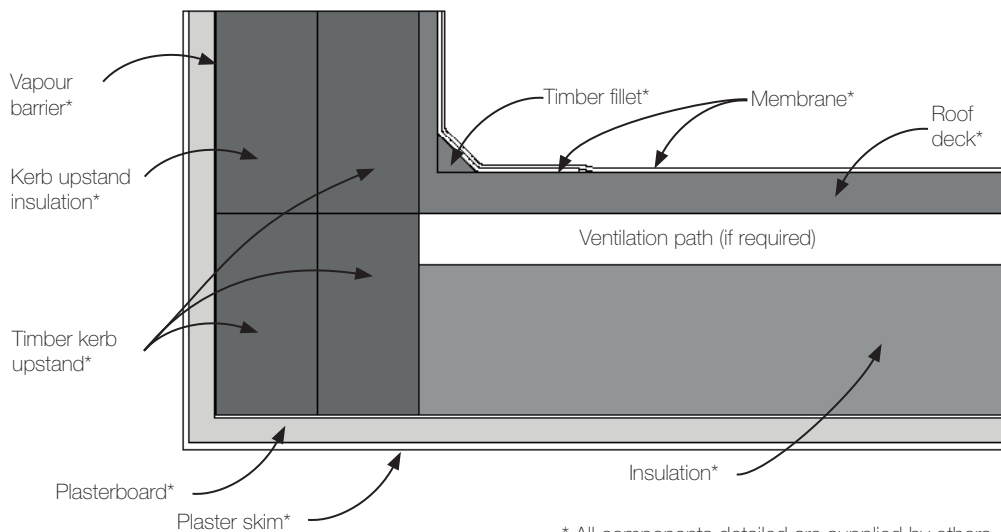
1A. Prepare the roof structure and opening to your preferred specification.  
An example structure is shown below.



\* All components detailed are supplied by others.

# 2. Step 2 - Sectional reference details

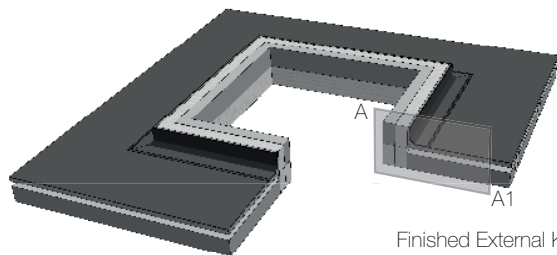
2A. The example structure detailed in step 1 is shown below in 2D sectional view.



\* All components detailed are supplied by others.

3.

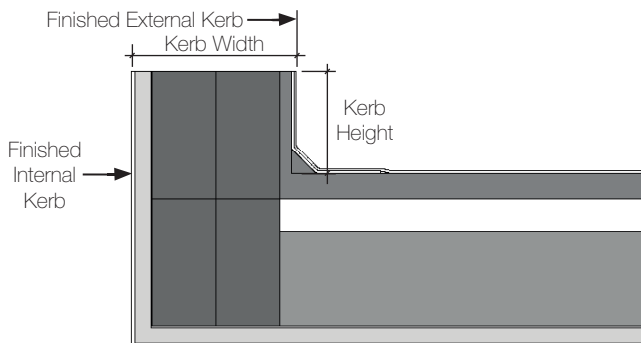
### Step 3 - Kerb dimensions



SECTION VIEW A-A1

3A. The kerb width (including internal finish and external covering) must be **no greater than 130mm**. See detailed installation in Appendix A for more information.

3B. The kerb height should be constructed in accordance with the guidance provided in BS6229.



4.

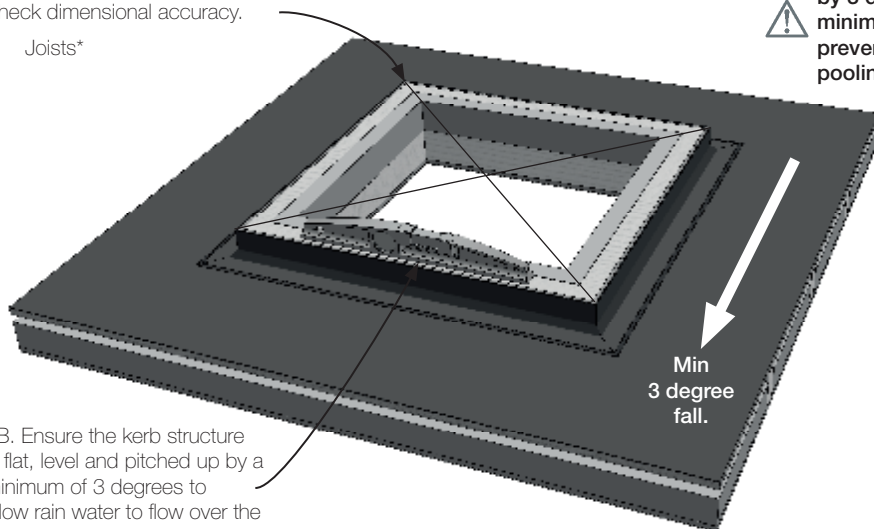
### Step 4 - Levels and falls

4A. Measure kerb across corners to check dimensional accuracy.

Joists\*



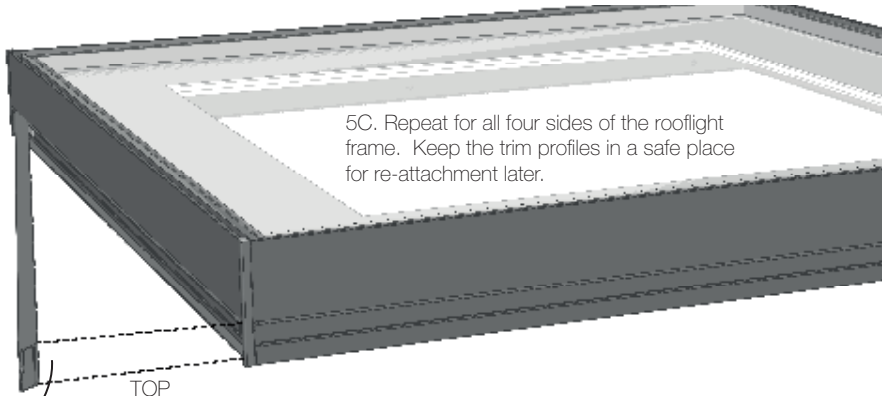
**Kerb must fall by 3 degrees minimum to prevent water pooling on glass.**



4B. Ensure the kerb structure is flat, level and pitched up by a minimum of 3 degrees to allow rain water to flow over the rooflight leading edge.

5.

## Step 5 - Removing cover trim



5C. Repeat for all four sides of the rooflight frame. Keep the trim profiles in a safe place for re-attachment later.

5B. Prise the trim from the rooflight taking care not to bend or damage the trim.



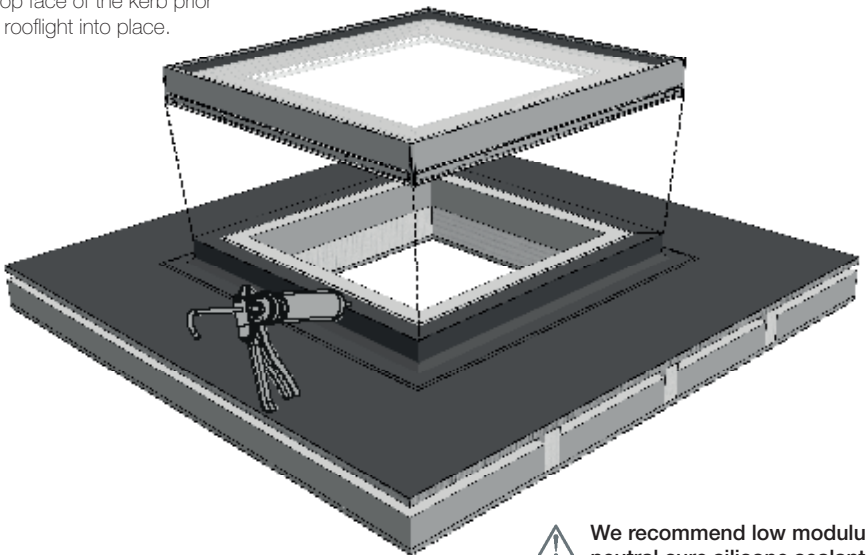
The cover trim has a top and bottom face - please take note of the orientation when re-attaching the trim profiles.

5A. Starting at one end of the cover trim - un-clip by pulling on the underside of the profile and rotating toward you.

6.

## Step 6 - Silicone sealing


6A. Apply a generous bead of silicone sealant to the top face of the kerb prior to lowering the rooflight into place.

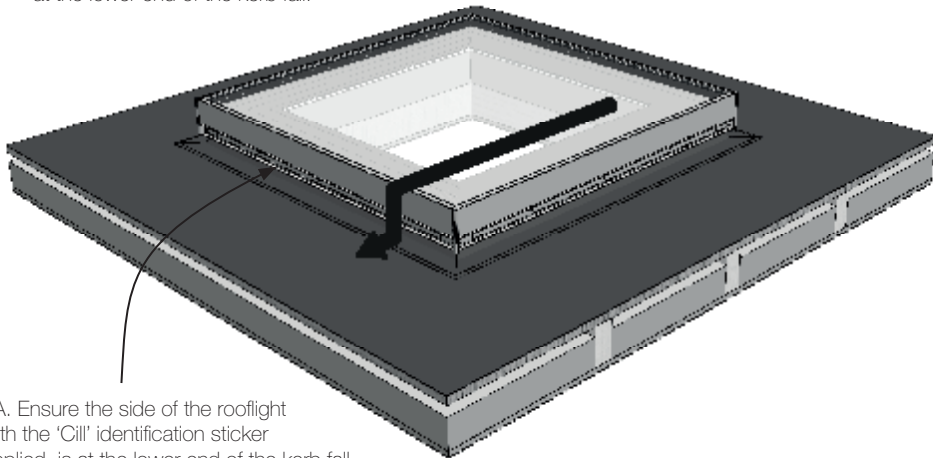


We recommend low modulus neutral cure silicone sealant.

7.

## Step 7 - Product position and orientation

 Ensure cill of rooflight is orientated at the lower end of the kerb fall.



7A. Ensure the side of the rooflight with the 'Cill' identification sticker applied, is at the lower end of the kerb fall.


7B. Lower the rooflight frame on to the kerb upstand ensuring an even gap to all sides.

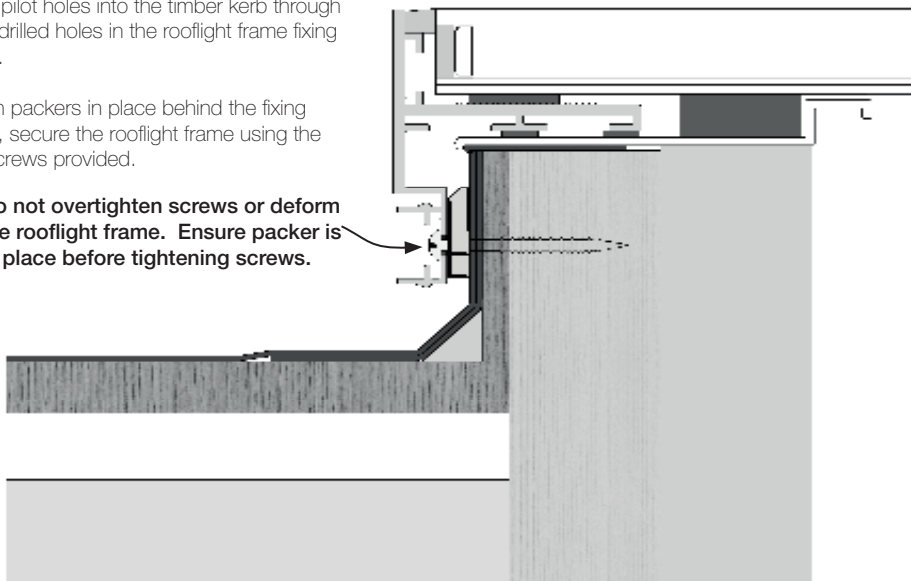
8.

## Step 8 - Fixing the rooflight

8A. Drill pilot holes into the timber kerb through the pre-drilled holes in the rooflight frame fixing channel.

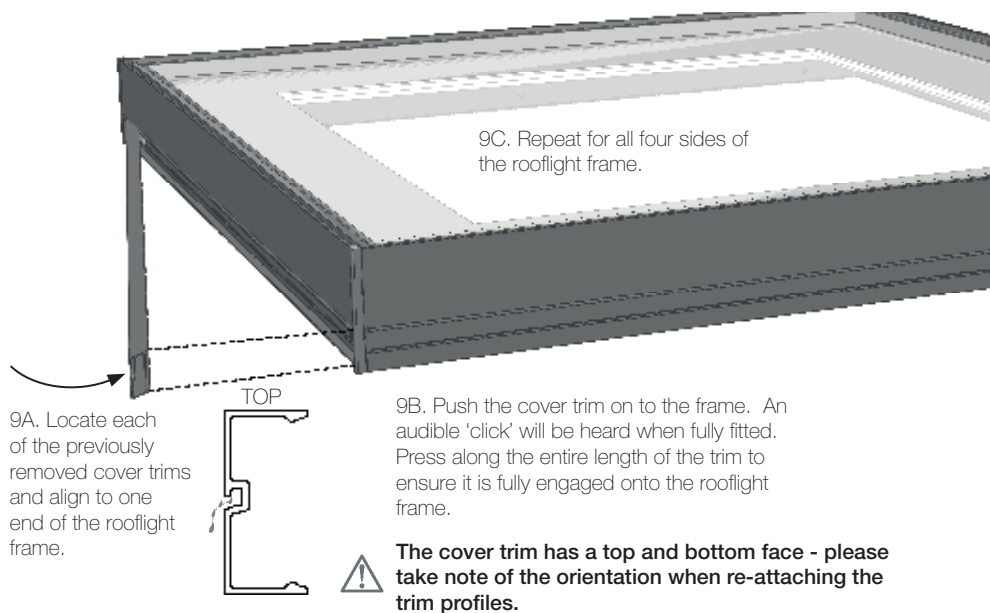
8B. With packers in place behind the fixing channel, secure the rooflight frame using the wood screws provided.

 **Do not overtighten screws or deform the rooflight frame. Ensure packer is in place before tightening screws.**



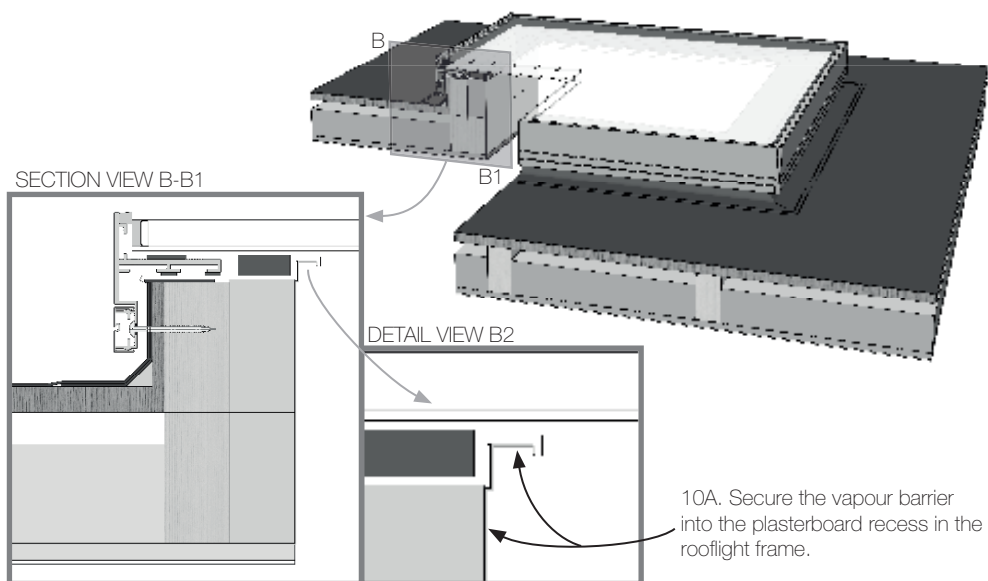
9.

## Step 9 - Replacing the cover trim



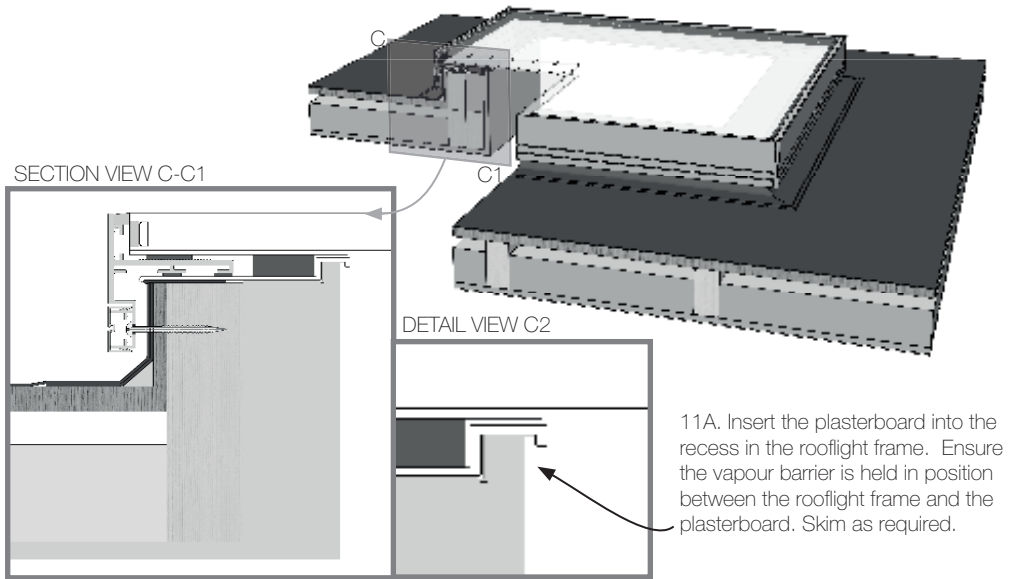
10.

## Step 10- Internal vapour barrier



11.

## Step 11 - Internal finish



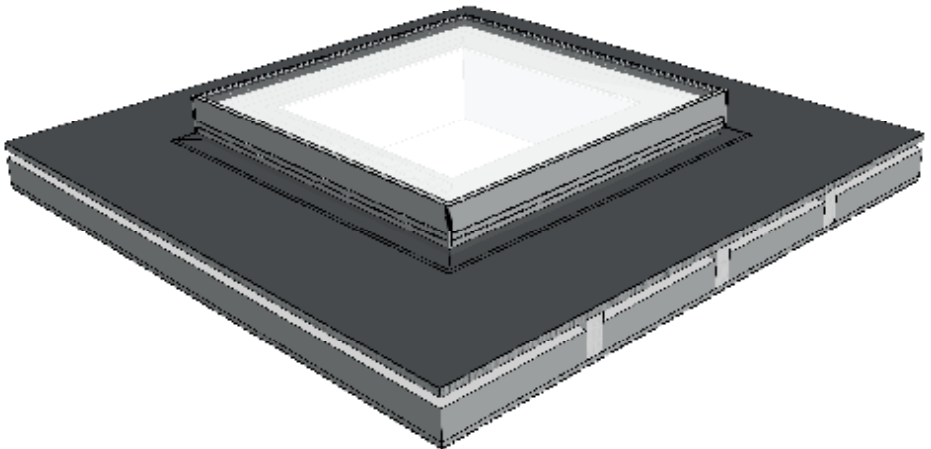
12.

## Step 12 - Last steps

12A. Finally, clean the product to remove any dirt that may have accumulated during the installation process.



**Ensure there are no contaminants on the glazing or painted frame.**







NOTES PAGE

A large, empty rectangular frame with a thin black border, occupying the majority of the page below the header.

# Installation Manual

## Neo Advance<sup>®</sup>

### Fixed Shut Option

Please register your product at:  
[www.therooflightco.com](http://www.therooflightco.com)

Unit T1, Bourton Industrial Park  
Bourton-on-the-Water  
Gloucestershire  
GL54 2HQ

T: 01993 833155

E: [hello@therooflightco.com](mailto:hello@therooflightco.com)

[www.therooflightco.com](http://www.therooflightco.com)

THE  
**ROOFLIGHT CO.**  
COTSWOLDS



Assessed to ISO 9001:2015  
Cert/LPCB ref. 2024

